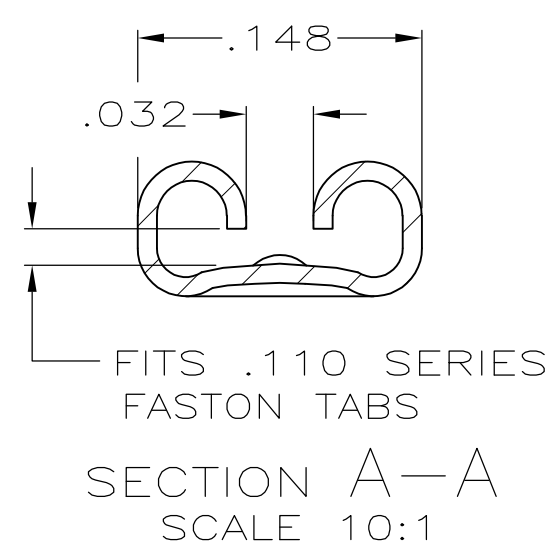
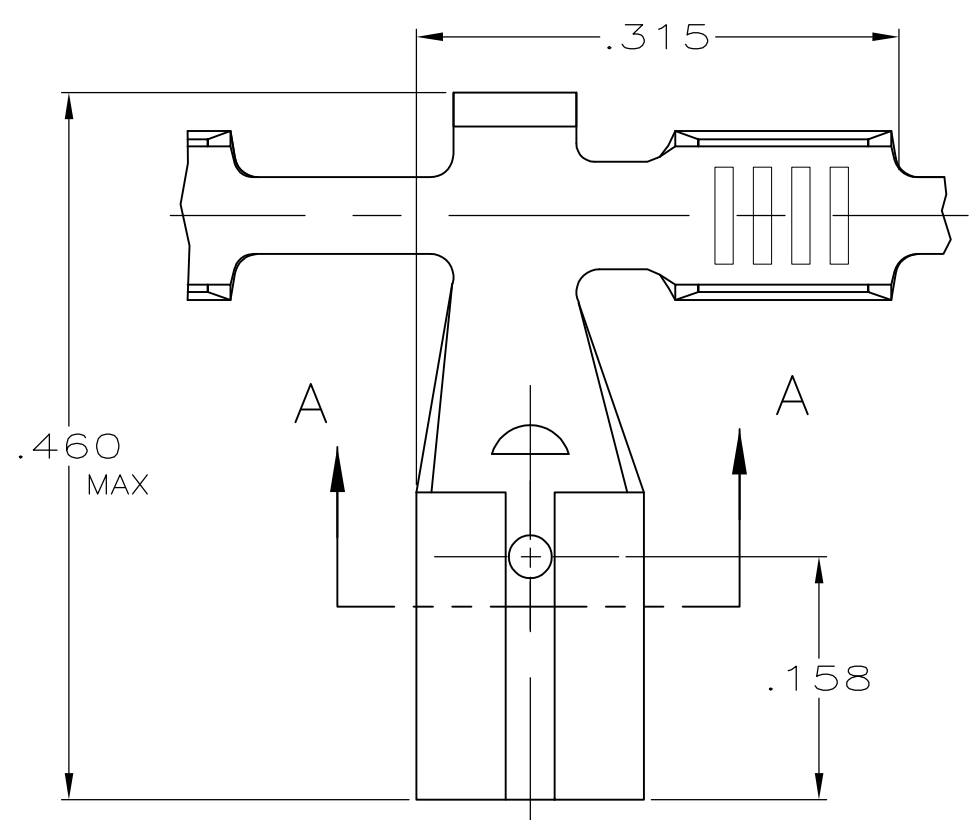
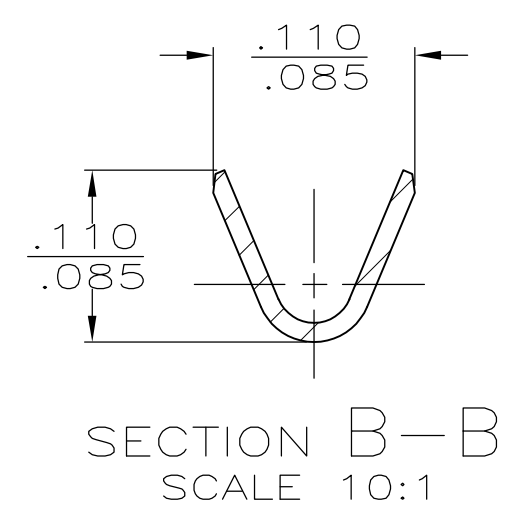
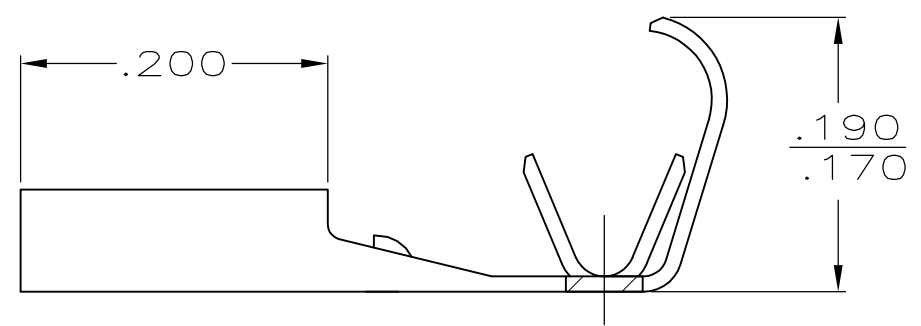
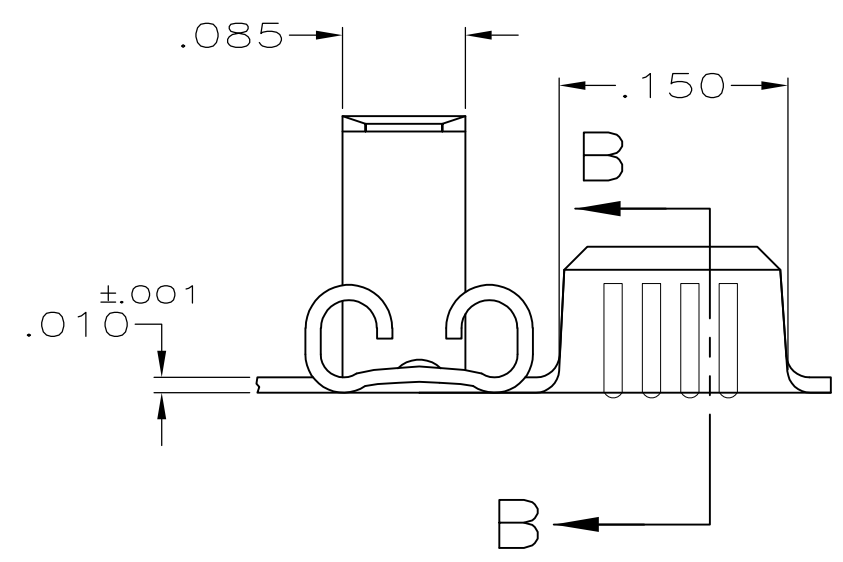


THIS DRAWING IS UNPUBLISHED. RELEASED FOR PUBLICATION
 © COPYRIGHT - By - ALL RIGHTS RESERVED.

LOC	DIST	REVISIONS					
AF	50	P	LTR	DESCRIPTION	DATE	DWN	APVD
		L		REVISED PER ECR-12-013459	28NOV2012	KH	PD



1 CONTINUOUS STRIP ON REELS
 2 TO BE REELED WITH PAPER.



OBSOLETE	#4H BRASS				-61971-3-2
OBSOLETE	T4 PHOS BRZ.	.065-.100 DIA	22-18 AWG	.032	-61971-2-
	BRASS				61971-1
	MATERIAL	INSULATION RANGE	WIRE SIZE	MATING TAB THK ±.001	PART NO

THIS DRAWING IS A CONTROLLED DOCUMENT.		DWN	JR RUTH	4/24/91	TE Connectivity RECEPTACLE, FASTON, FLAG, .110 SERIES					
DIMENSIONS: INCHES		CHK	MS FEHER	4/24/91				NAME		
TOLERANCES UNLESS OTHERWISE SPECIFIED:		APVD	C MEYERS	4/24/91				PRODUCT SPEC		
0 PLC ± - 1 PLC ± - 2 PLC ± - 3 PLC ± .015 4 PLC ± - ANGLES ± -		APPLICATION SPEC		RESTRICTED TO						
MATERIAL: SEE TABLE		FINISH: PRE-TIN		WEIGHT: -	SIZE: A3	CAGE CODE: 00779	DRAWING NO: C-61971			
CUSTOMER DRAWING				SCALE: 8:1	SHEET: 1 OF 1	REV: L				